

## Gray and Fox Squirrels Nest Box Plans

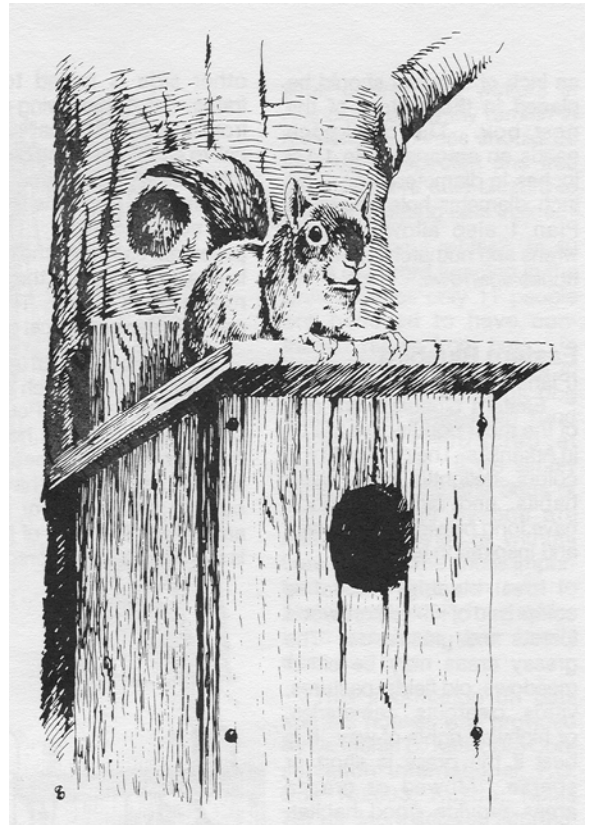
Gray and fox squirrels readily adapt to nest boxes in backyards, woodlots, and farm groves. Gray squirrels tend to be found more in urban areas and in larger stands of hardwood forest. Fox squirrels are more commonly found in farmsteads, river bottoms and woodlots with open understories.

Plan 16 is the preferred design for squirrel boxes. This box incorporates an inside shelf immediately under the entrance hole. This shelf prevents predation by cats and raccoons. Incorporating this inside shelf allows construction of a smaller box. Smaller boxes are more economical and easier to place.

Houses should be placed in trees at least 10 inches in diameter. They should be at least 18 feet above the ground. The entrance hole should face either east or south to be downwind from prevailing winter winds.

A squirrel nest box can be made more enticing by filling it half full with dry leaves. To attach the box to the tree, use a lag screw and washer at the top and bottom of the back piece. Lag screws must be loosened annually to allow for tree growth. Wire should not be used because it can girdle the tree, and lag screws should only be used on trees with no commercial value.

Boxes are most heavily used in the winter, so new boxes should be set out in the fall. It is not necessary to clean out squirrel nest boxes.



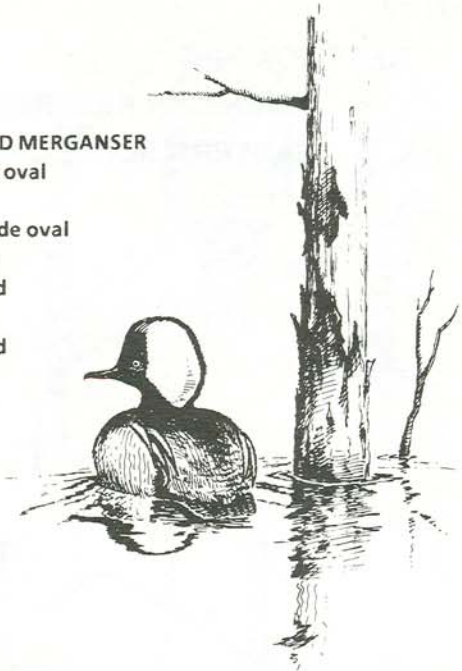
**PLAN 15**

**NEST BOX FOR:**

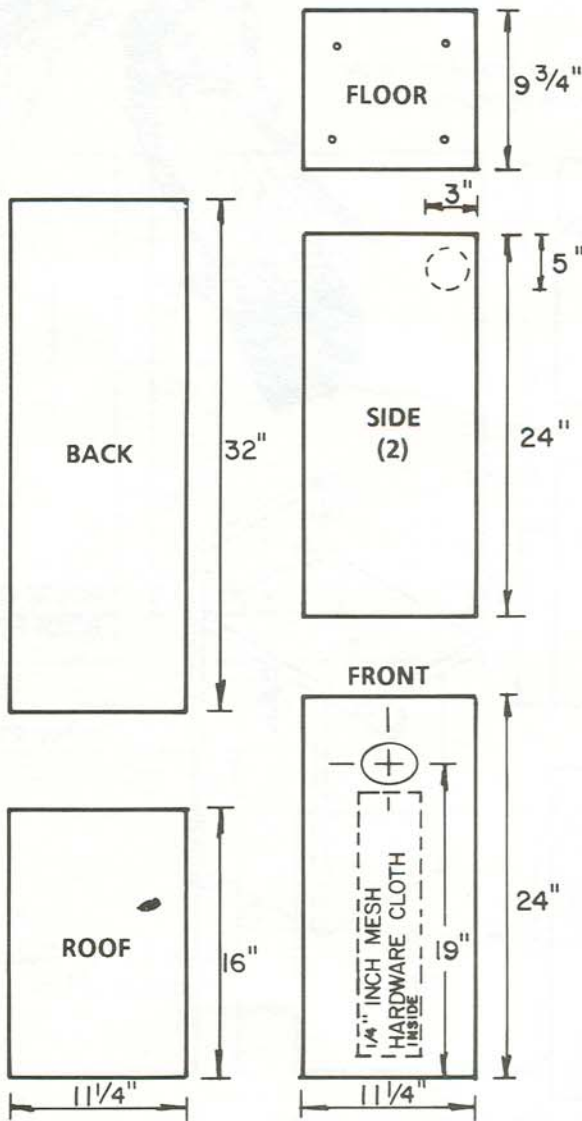
- COMMON & HOODED MERGANSER**
- WOOD DUCK**
- RACCOON**
- FOX and GRAY SQUIRREL**
- PILEATED WOODPECKER**

**ENTRANCE HOLES**

- WOOD DUCK and HOODED MERGANSER**  
3" high & 4" wide oval
- RACCOON**  
5" high and 9" wide oval
- FOX and GRAY SQUIRREL:**  
3" diameter round
- PILEATED WOODPECKER**  
4" diameter round

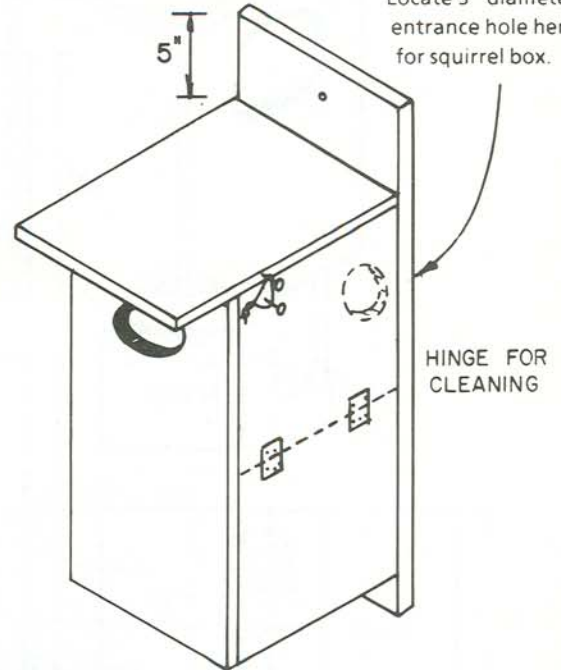


*SIDELINGER*



Optional site for squirrel box entrance

OPTIONAL: Locate 3" diameter entrance hole here for squirrel box.

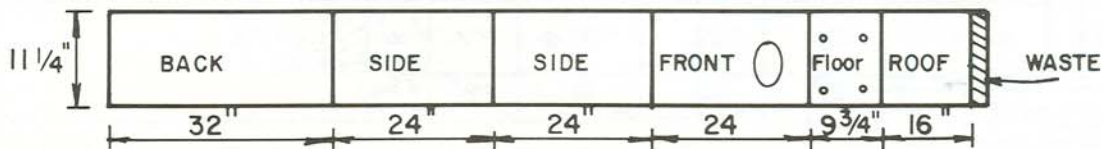


HINGE FOR CLEANING

**LUMBER:**  
ONE 1" X 12" X 12'0"

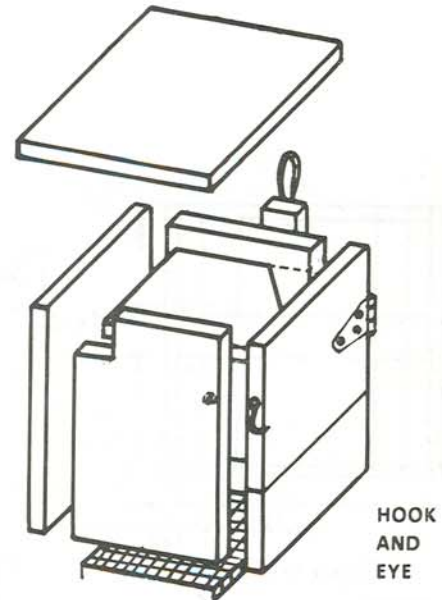
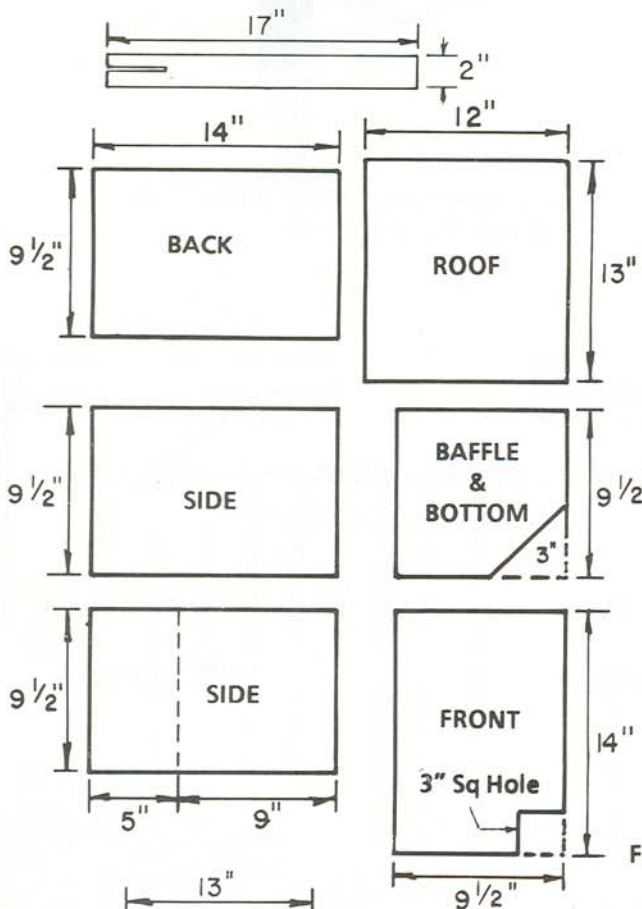
FOR WOOD DUCK HOUSE -  
Place 3-4" Chain Saw Wood Chips in bottom of fox.

FOR PILEATED WOODPECKER HOUSE -  
Fill box to top with sawdust.



**NOTE:** PILEATED WOODPECKER BOX SHOULD BE CONSTRUCTED FROM ONE 2" X 12" X 12'0" CEDAR, AND FLOOR MUST BE 8 1/2" LONG INSTEAD OF 9 3/4" FOR USE OF 1 1/2" THICK LUMBER.

**PLAN 16**  
**SQUIRREL BOX**



Fold Screen around Wooden Bottom

- LUMBER:**  
**ONE**  
**1" X 10" X 8"**  
**ONE**  
**2" X 2" X 17"**  
**ONE**  
**3/4" x 12" x 13"**  
**Exterior Plywood**

