

Mosquito Net PVC Frame for Summer Camp

Standard frames are fine, but they don't fit in the shape of the tent very well. Because of the angle of the tent, most designs do not use the headspace that is available. This is a re-designed frame to make a higher entry and uses the shape of the tent as a guide. The frame is designed to be broken down and carried in a folding lawn chair bag. Label all pieces and mark the joints so that your Scout knows what pieces go where. Mosquito nets can be ordered online.

Supplies:

- 4 - 10ft pieces of 3/4" PVC pipe
- All fittings are of 3/4" PVC pipe:
 - 10 Tees
 - 4 Elbows
 - 4 End caps for legs



Picture #1 - Completed Project

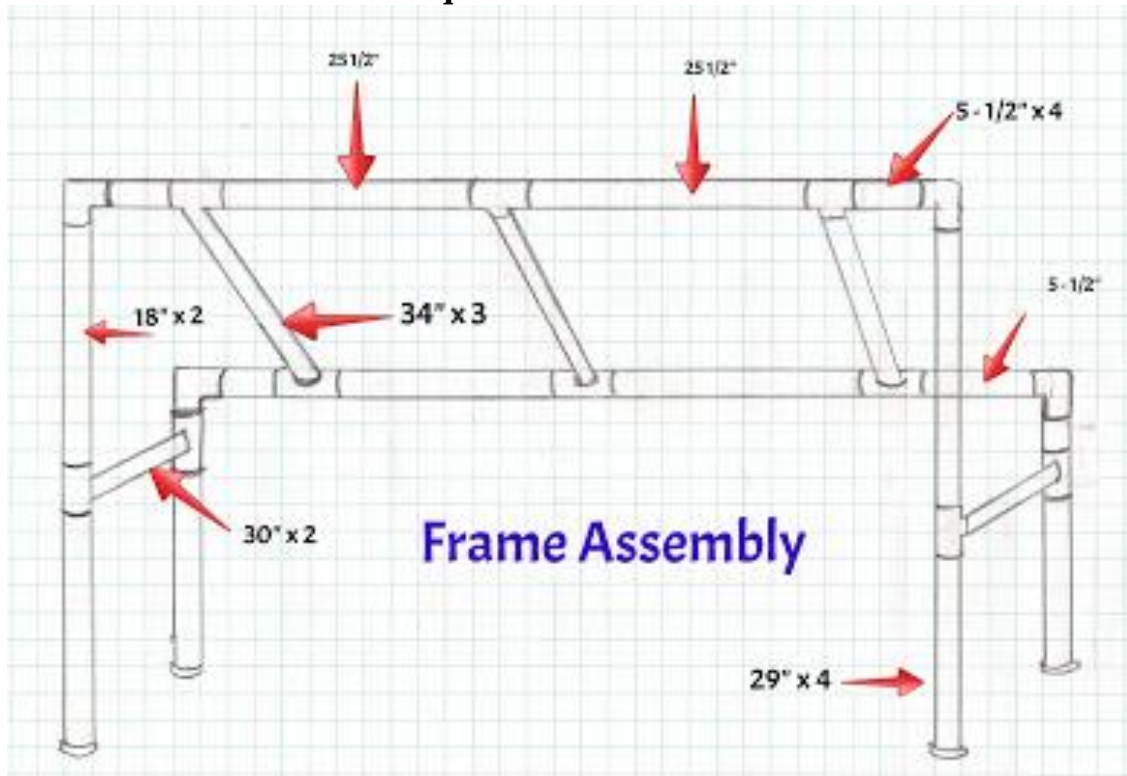


Picture #2 – Side view



Picture #3 – End assembly

Mosquito Net PVC Frame



Cut PVC pipe to the following sizes:

Legs 29" x 4

Top Leg Extension 18" x 2

End bars 30" x 2

Horizontal pieces 25-1/2" x 4

Horizontal pieces 5-1/2" x 4

Vertical Crossbar supports 34" x 3

To connect the Tee to the Elbows on the end you will need to cut 2 PVC pieces at 2". (See picture #3 of the end assembly)